

37-1X-BL2

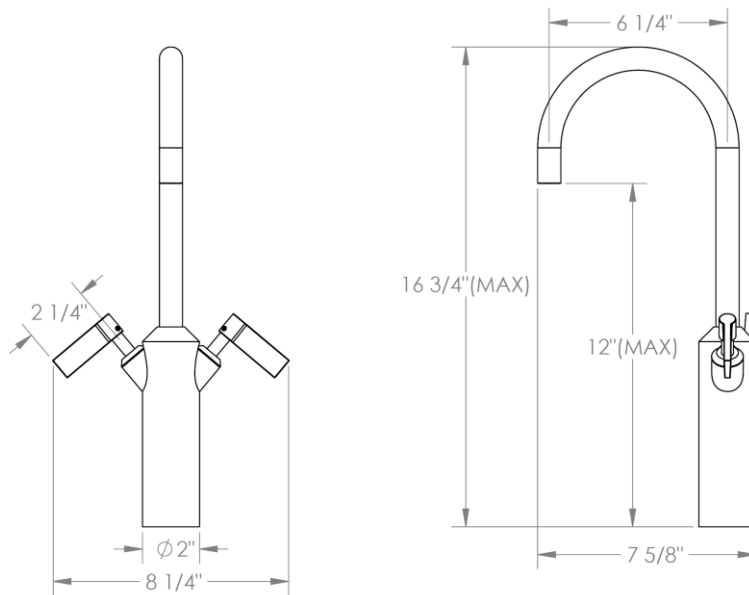
Deck Mounted 2 Handle Monoblock

Specify up to 4" spout extension when ordering

Includes MPU7 Pop-Up Drain

Flow Rate: 1.2 GPM

Note: Please specify up to 4" spout extension when ordering



Meets the applicable requirements of ASME A112.18.1-2005/CSA B125.1-05, entitled "Plumbing Supply Fittings"